

## #14503 Thompson Daybed Kit

Available exclusively at [miniatures.com](http://miniatures.com)

Step-by-step assembly instructions

Copyright [miniatures.com](http://miniatures.com) 2023

### PARTS LIST:

Front Rail  
Lower Rails (2)  
Back  
Right Side  
Left Side

### SUPPLIES NEEDED:

Masking tape  
White glue (such as #1249 Weldbond)



**WARNING:**  
**CHOKING HAZARD – Small parts**  
Not for children under 3 yrs.  
Adult supervision required.

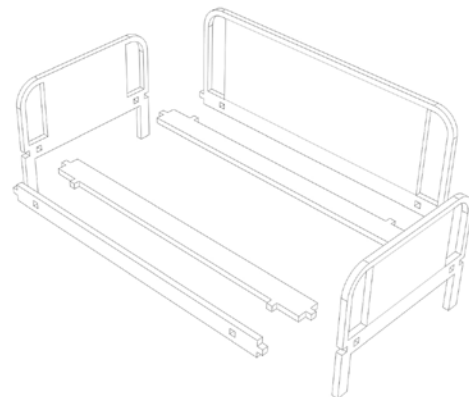
### GENERAL INSTRUCTIONS

- Identify and inspect all parts using the Parts List.
- Read the directions completely before beginning the project.
- If possible, have a dedicated work area so that you are not unpacking, repacking, and moving the project from place to place.
- Choose a work surface that is level, clean, dry, and protected from spills.
- Do a dry fit, using masking tape to hold parts in place, to make sure everything fits together correctly before assembling permanently.

## Assembly Instructions

**Tip:** Remove residual soot from cut edges using a clean cloth dampened with rubbing alcohol.

1. Glue one **Lower Rail** to the **Back**. The two slots on the **Back** receive the tabs of the **Lower Rail**. One surface of the **Back** has decorative lines, which can be oriented by preference.
2. Glue the other **Lower Rail** to the **Front Rail**. The two slots on the **Front Rail** receive the tabs of the **Lower Rail**.
3. Let the glue set for a few minutes.
4. Glue the assembly from Step 1 to the **Left Side**. Orient the **Back** towards the outside. The two slots on the **Left Side** receive the tabs of the assembly. One surface of the **Left Side** has decorative lines, which can be oriented by preference.
5. Let the glue set for a few minutes. Standing the assembly upright with the **Left Side** flat on the work surface helps to strengthen the joint and assure square alignment.
6. Glue the assembly from Step 2 to the **Left Side**. Orient the **Front Rail** towards the outside.



7. Let the glue set for a few minutes. Standing the assembly upright with the **Left Side** flat on the work surface helps to strengthen the joint and assure square alignment.
8. Repeat Steps 4-7 for the **Right Side**.
9. Let dry.

Assembly is now complete. Enjoy finishing the Daybed with a few coats of paint, a mattress, and linens.